

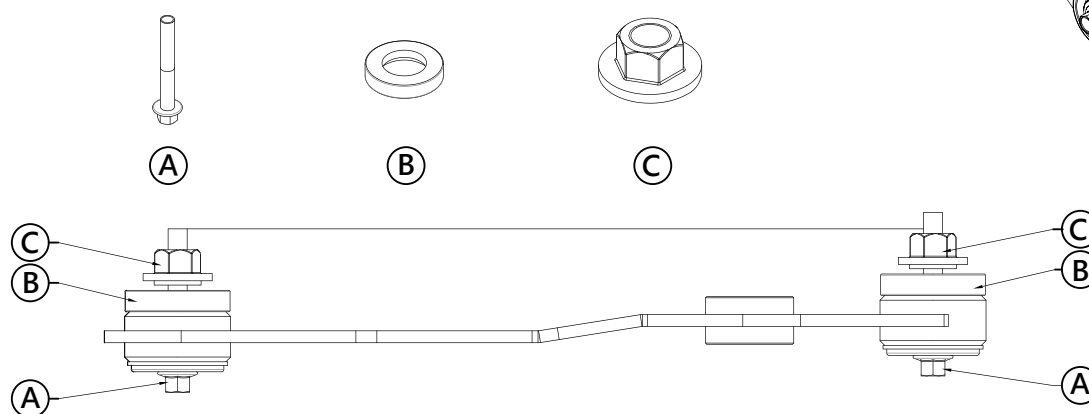
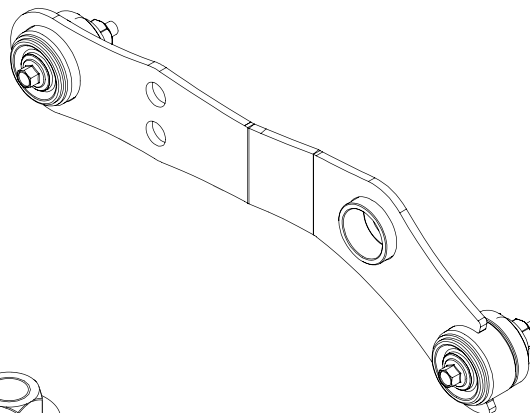
Installation Guide

安裝說明書

VEHICLE APPLICATIONS 適用車型 : SCION FR-S ZN6 / SUBARU BRZ ZC6 /
PART NO. 7433 TOYOTA FT-86 ZN6

Contents 內含配件

1. Rear Diff. Mount Support Bar 1PCS
差速器強化拉桿 1PCS
2. Bolt (A) (M12x1.25x60) 2PCS
螺絲 (A) (M12x1.25x60) 2PCS
3. Rubber Washer (B) 2PCS
橡膠墊片 (B) 2PCS
4. Nut (C) (M12x1.25) 2PCS
螺帽 (C) (M12x1.25) 2PCS



Installation tips 安裝方法

※ Hint: Remove muffler, mid-pipe and rear sway bar for easier installation.

建議：先拆下排氣管、中尾段、及後防傾桿，以便施工



STEP 1

Safely support the differential by hydraulic jack, and then loosen the bolts behind differential.

使用油壓千斤頂，頂住差速器，拆下差速器後方固定螺絲



STEP 2

Roughly fix the support bar by 3 bolts behind differential.
(Thread-locker Gel is recommended)

Place the nuts (C) by wrench, insert rubber washer (B) between support bar and frame, then fasten the bolts (A) (Torque: 90~100Nm, Do not use pneumatic tools).

先把差速器強化拉桿稍微鎖上差速器後方三顆螺絲（建議使用螺絲防鬆劑）
利用扳手工具放入配件螺帽 (C)，接著放入橡膠配件 (B) 於大樑與強化拉桿之間，鎖上配件螺絲 (A) (勿使用氣動工具，螺絲旋緊扭力值 90~100Nm)



STEP 3

Figure of completion.

安裝完成圖