

Installation Guide

安裝說明書

VEHICLE APPLICATIONS
適用車型

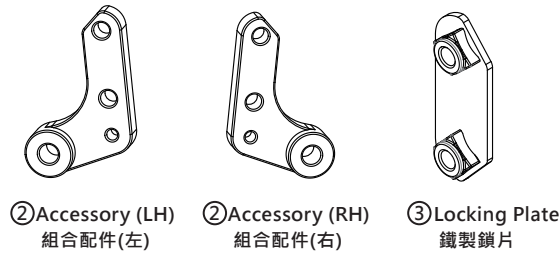
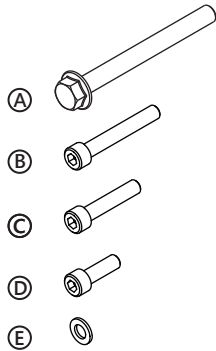
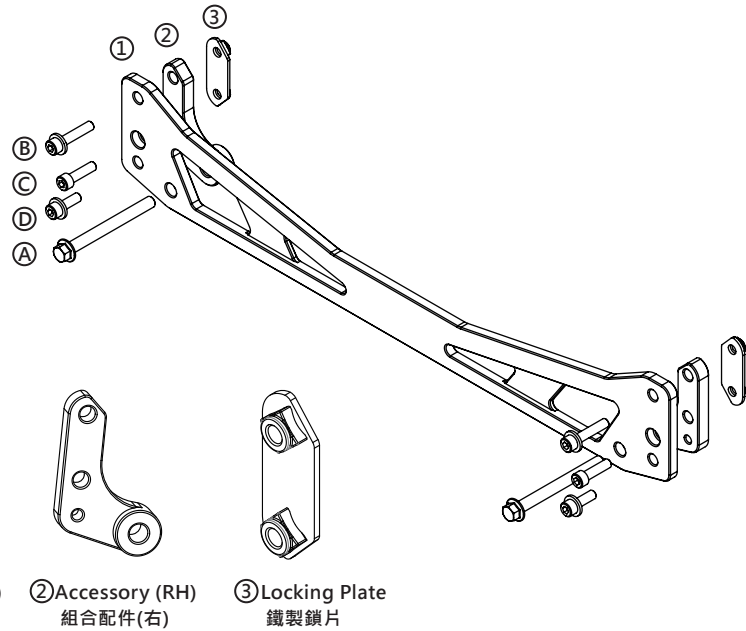
HONDA CIVIC 6th EK3/4/5/9, EJ6/7/8/9, EM1

PART NO. 8792

Contents 內含配件

※ Please apply hand tools for installation
安裝過程請使用手動工具

- ① Aluminum Brace 鋁結構桿 1PCS
- ② Accessory (LH/RH) 組合配件 (左/右) 2PCS
- ③ Locking Plate 鐵製鎖片 (左/右) 2PCS
- Ⓐ Hex Bolt M10x1.25x120 外六角螺絲 2PCS
- Ⓑ Hex Socket Cap Bolt M8x1.25x40 內六角螺絲 2PCS
- Ⓒ Hex Socket Cap Bolt M8x1.25x30 內六角螺絲 2PCS
- Ⓓ Hex Socket Cap Bolt M8x1.25x25 內六角螺絲 2PCS
- Ⓔ Washer M8 華司 4PCS



Installation tips 安裝提示



Insert bolt Ⓒ into the mounting hole of brace ①, accessory ② and sub-frame, place locking plate ③ inside the sub-frame then lock the bolt (LH/RH).
使用 Ⓒ 內六角螺絲 M8x1.25x30，穿過 ① 結構桿、內凹孔位及 ② 組合配件，鎖上 ③ 鐵製鎖片下方鎖點 (左右皆是)



Lock the brace with the lower arm by using bolt Ⓐ. Put washer Ⓔ on bolt Ⓑ and lock Ⓑ at the top, then put washer Ⓔ on bolt Ⓓ and lock Ⓓ at the bottom.

使用 Ⓐ 外六角螺絲 M10x1.25x120 組合後下支臂，再將 Ⓑ 內六角螺絲 M8x1.25x40 固定在上方鎖點加入 Ⓔ M8 華司
及 Ⓓ 內六角螺絲 M8x1.25x25 固定在下方鎖點加入 Ⓔ M8 華司

HARDRACE rear sway bar kit (#8879, 25.4mm) is optional if needed.
若需追加防傾桿，可選擇 NO.8879 25.4mm 後防傾桿組

Torque for bolts
螺絲鎖緊扭力：
M10-60Nm
M8-30Nm

Warning 安全提示

Installation should only be performed by licensed mechanics who have the necessary skill and tools to do the job correctly and safely.

安裝需由合格的專業技師及工具執行，以確保安裝過程的正確與安全

When swapping the suspension kits, be sure to note the routing and mounting position of all wires, cables and bolts orientation, certain damage might be caused by reinstalling differently from the original factory position. Please refer to factory manual for proper installation and safety stands.

當更換您車輛的懸吊套件時，請記下您的線組與管線安裝位置，非原廠相同的安裝位置可能會造成元件之損壞，造成車輛的危險。請參考原廠車輛手冊



TEL: +886 3 5370822 FAX: +886 3 5373027
E-MAIL: info@hardrace.com WEBSITE: WWW.HARDRACE.COM

