

Installation Instructions

安裝說明書

FR. LOWER ADJUSTABLE BALL JOINT

前下可調仰角和尚頭

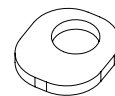
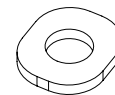
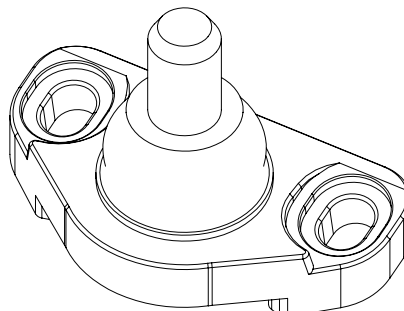
#8776

Application 適用車型

HONDA CIVIC TYPE-R FK2

Components 內含配件

- ① Ball joint assembly 和尚頭總成.....2pcs
- ② Washer 華司.....4pcs
- ③ Eccentric washer 偏心華司.....4pcs

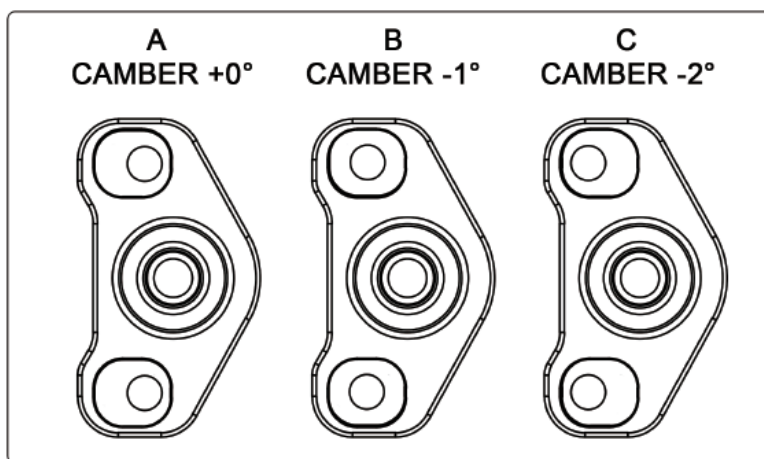
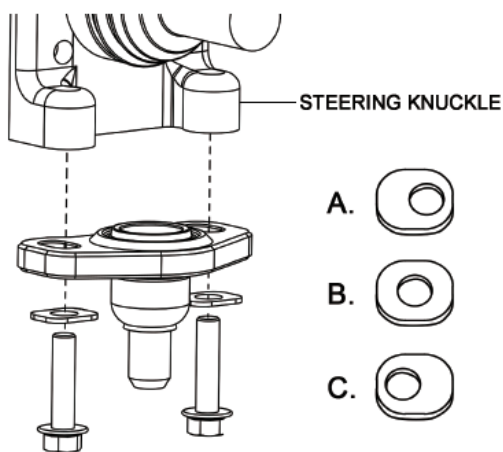


Caution 注意事項

- Installation is recommended to be performed by licensed mechanics with necessary tools to ensure safety. Incorrect installation may cause injury, damage to the product or vehicle. 安裝建議由合格的技師及工具執行以確保安全。安裝錯誤可能對人員、產品及車輛造成傷害。
- Note the routing of wires and cables before installation, or please refer to factory manual. 安裝前請事先記下線路的安裝路徑及位置以維持原廠配置。有疑問時請參考原廠手冊。
- Tighten bolts and nuts firmly by using handtools, and with specified torque if mentioned. 安裝過程請使用手動工具確實鎖緊螺帽及螺絲。如有特別註明請依照說明指示的扭力上鎖。

Instructions 安裝說明

1. Raise and safely support the vehicle. Then remove front wheels to access steering knuckles.
將車輛升起後卸下前輪。
2. Detach lower ball joint from strut forks, then remove factory ball joint assemblies from steering knuckles.
將下和尚頭卸下前避震叉。再將和尚頭從羊角/轉向節上卸下。
3. Install supplied washers to the ball joint housing. Adjust to desired camber settings by inserting washers, or eccentric washers in different directions as shown in below figure.
參考下圖將華司或偏心華司以不同方向置入和尚頭底座，以達到理想的負外傾角設定值。



4. Install the ball joint assembly to knuckles using the factory bolts.
使用原廠螺絲將和尚頭鎖上。
5. Reinstall the steering knuckles to strut forks.
將羊角/轉向節鎖回避震叉。
6. Please have the vehicle professionally aligned after installation.
完成後請接受電腦四輪定位校正。

