

Installation Instructions

安裝說明書

FRONT STRUT MOUNT

前避震器上座

#Q0732

Application 適用車型

Suzuki Swift 3rd 2011-2017

Suzuki SX4 1st 2007-2014

Suzuki SX4 2nd 2014-2021

Suzuki Vitara 4th 2016-2022

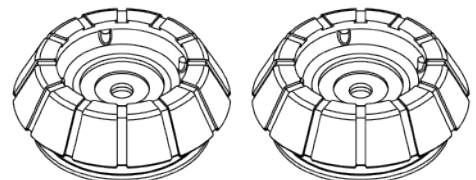
Components 內含配件

① Strut mount 避震器上座.....2pcs

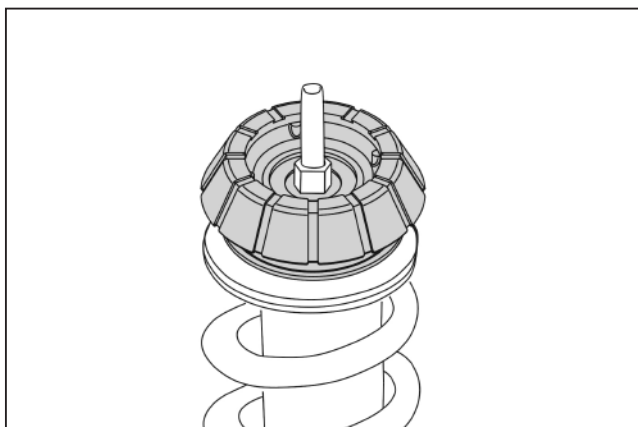
② Washer 華司 (26x12.2x3t).....2pcs

Caution 注意事項

- Installation is recommended to be performed by licensed mechanics with necessary tools to ensure safety. Incorrect installation may cause injury, damage to the product or vehicle.
安裝建議由合格的技師及工具執行以確保安全。安裝錯誤可能對人員、產品及車輛造成傷害。
- Note the routing of wires and cables before installation, or please refer to factory manual.
安裝前請事先記下線路的安裝路徑及位置以維持原廠配置。有疑問時請參考原廠手冊。
- Tighten bolts and nuts firmly by using handtools, and with specified torque if mentioned.
安裝過程請使用手動工具確實鎖緊螺帽及螺絲。如有特別註明請依照說明指示的扭力上鎖。

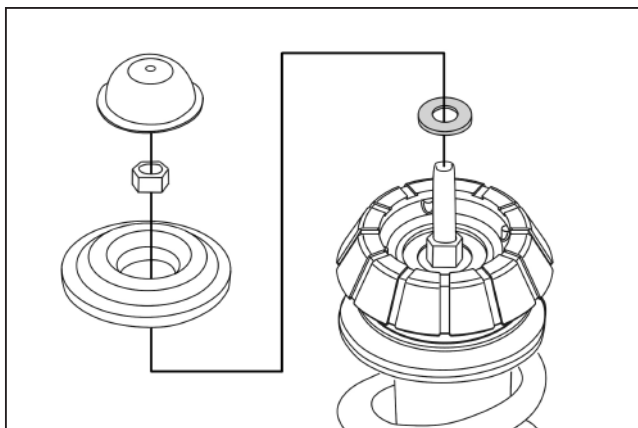


Instructions 安裝說明



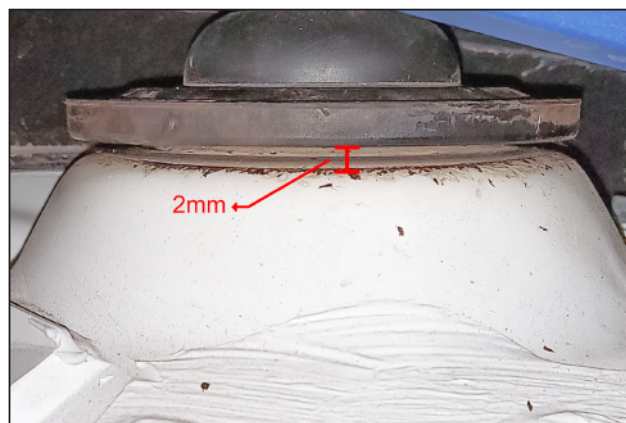
1. Remove the front coilovers from the vehicle to replace the strut mounts. (Spring compressor required)

將前避震器拆下以更換避震器上座。(須使用彈簧壓縮器)



2. Reinstall the coilovers. The supplied washers need to be inserted between the strut mount nuts and upper retaining plates.

將避震器裝回車輛。安裝時請將附件華司裝於避震器座螺帽以及頂端橡皮固定片之間。



3. Check the distance between strut tower body and upper retaining plates after installation. There should be at least 2mm clearance for the plates to freely rotate as the wheels turn.

安裝完成後請確認頂端的橡皮固定片及車體避震塔須有至少2mm的空隙。確保轉向時避震器能自由旋轉。